

<b>K303801</b>		
D=30	d=24	H=38,5
Rear Piston Ø30 Bosch Type		
CITROEN, PEUGEOT, RENAULT		



<b>K304001</b>		
D=30	d=26	H=40
Rear Piston Ø30 Akebono Type		
DAIHATSU CHARADE, MAZDA MX-3		



<b>K304002</b>		
D=30,2	d=27	H=40,5
Rear Piston Ø30 Nih Type		
HONDA ACCORD, INTEGRA, PRELUDE		



<b>K304101</b>		
D=30	d=26,3	H=41,6
Rear Piston Ø30 Akebono Type		
MAZDA 323, 626; FORD PROBE		




<b>K304102</b>		
D=30	d=24,5	H=41
Rear Piston Ø30 Akebono Type		
NISSAN		



<b>K304301</b>		
D=30	d=27	H=43,8
Rear Piston Ø30 Lucas/Nissin Type		
HONDA CIVIC, CONCERTO, CRX; ROVER 25,45, STREET, 200-400 SERIES		



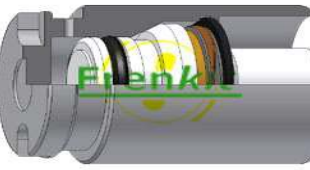
<b>K304501</b>		
D=30	d=25,8	H=45,5
Rear Piston Ø30 Nabco Type		
DAIHATSU, FORD, MAZDA, SUZUKI		



<b>K304502</b>		
D=30	d=26	H=45
Rear Piston Ø30 Akebono Type		
NISSAN PULSAR, SUNNY, 100NX		



<b>K304503</b>		
D=30	d=26	H=45
Rear Piston Ø30 Akebono Type		
MITSUBISHI COLT, ECLIPSE, GALANT, LANCER; TOYOTA COROLLA		



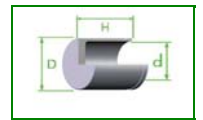
<b>K304504</b>		
D=30	d=25,5	H=45
Rear Piston Ø30 Tokico Type		
SUZUKI SWIFT		



<b>K304601</b>		
D=30	d=26	H=46,7
Rear Piston Ø30 Nissin/Lucas Type		
NISSAN ALMERA, MICRA		



<b>K323801</b>		
D=32	d=24	H=38,5
Rear Piston Ø32 Citroen Bosch Type		
CITROEN XSARA, ZX; PEUGEOT 306		




<b>K324501</b>		
D=32	d=25,7	H=45,5
Rear Piston Ø32 Nishinbo type		
MAZDA MX5		



<b>K334401</b>		
D=33	d=25,8	H=44,1
Rear Piston Ø33 Ate Type		
SAAB 900, 9000; VOLVO 440-460-480		



<b>K334601</b>		
D=34	d=29	H=46,8
Rear Piston Ø33 Lucas Type		
ALFA, VAG GROUP, FIAT, GM GROUP, HYUNDAI, KIA, LANCIA, MAZDA, MITSUBISHI		



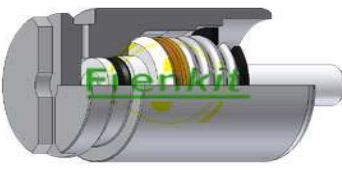
<b>K344101</b>		
D=34	d=29,4	H=41
Rear Piston Ø34 Kpw Type		
KIA CARENS, SHEPIA, SHUMA		



<b>K344201</b>		
D=34	d=30	H=42,8
Rear Piston Ø34 Kasco Type		
KIA PICANTO		



<b>K344401</b>		
D=34	d=28	H=44
Rear Piston Ø34 Nissin Type		
HONDA PRELUDE		



<b>K344603</b>		
D=34	d=30	H=46
Rear Piston Ø34 Akeb. Type		
HONDA ACCORD VII SERIES		



<b>K344701</b>		
D=34	d=31	H=47
Rear Piston Ø34 Bosch Type		
OPEL ASTRA, ZAFIRA		



<b>K344702</b>		
D=34	d=28	H=47,2
Rear Piston Ø34 Lucas/Nih Type		
HONDA ACCORD, CIVIC, PRELUDE; ROVER 600 SERIES; SUZUKI SX4		



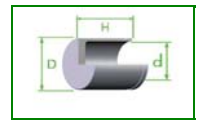
<b>K344707</b>		
D=34	d=28,5	H=47
Rear Piston Ø34 Mando Type		
HYUNDAI SOLARIS, KIA RIO		



<b>K344801</b>		
D=34	d=29	H=48
Rear Piston Ø34 TRW Type		
HYUNDAI, KIA, MITSUBISHI, NISSAN, SMART		



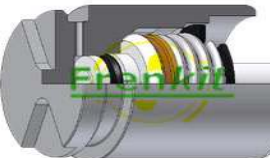
<b>K345001</b>		
D=34	d=29	H=49,7
Rear Piston Ø34 Ate Type		
MINI MINI, TOYOTA YARIS		





<b>K353901</b>		
D=35	d=28	H=39,5
Rear Piston Ø30 Akebono Type		
MAZDA 323, 626, 929, RX7		



<b>K354001</b>		
D=35	d=29,5	H=40
Rear Piston Ø35 Akebono Type		
MAZDA 323, 626, PREMACY, RX7		



<b>K354501</b>		
D=35	d=30	H=45
Rear Piston Ø35 Akebono Type		
MAZDA 6, TOYOTA COROLLA		



<b>K354503</b>		
D=35	d=29	H=45
Rear Piston Ø35 Akebono Type		
MITSUBISHI CARISMA, COLT, ECLIPSE, GALANT, LANCER		



<b>K354505</b>		
D=35	d=25,8	H=45,5
Rear Piston Ø35 Nabco Type		
MAZDA MX5		



<b>K364701</b>		
D=36	d=32	H=47
Rear Piston Ø36 BoschType		
OPEL ASTRA, ZAFIRA		



<b>K364805</b>		
D=36	d=31	H=48
Rear Piston Ø36 TRW Type		
MINI MINI; OPEL ASTRA, MERIVA, ZAFIRA		



RIGHT THREAD

<b>K364901R</b>		
D=36	d=31,5	H=49
Rear Piston Ø36 BoschType		
FIAT PUNTO; OPEL CORSA; TOYOTA AURIS, COROLLA		



LEFT THREAD

<b>K364901L</b>		
D=36	d=31,5	H=49
Rear Piston Ø36 BoschType		
FIAT PUNTO; OPEL CORSA; TOYOTA AURIS, COROLLA		



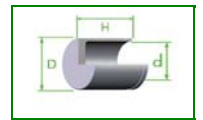
<b>K365001</b>		
D=36	d=29	H=50
Rear Piston Ø36 Ate Type		
FORD TOURNEO, TRANSIT		



<b>K365101L</b>		
D=36	d=26	H=50,9
Rear Piston Ø36 Brembo Type		
RENAULT ESPACE, LAGUNA, NEVADA, R21, SAFRANE		



<b>K365101R</b>		
D=36	d=26	H=50,9
Rear Piston Ø36 Brembo Type		
RENAULT ESPACE, LAGUNA, NEVADA, R21, SAFRANE		




<b>K383001</b>		
D=38	d=26	H=30,5
Rear Piston Ø38 Ate Type		
ALFA ROMEO ALFETTA, GIULETTA, GTV, SPIDER, 75, 90; PORSCHE 914		



<b>K384102</b>		
D=38	d=29,5	H=41
Rear Piston Ø38 Kasko Type		
KIA CARENS		



<b>K384601</b>		
D=38	d=33	H=46,8
Rear Piston Ø38 Lucas Type		
HONDA, HYUNDAI, LEXUS, NISSAN, ROVER, SUBARU, TOYOTA		



<b>K384701</b>		
D=38	d=33	H=47,2
Rear Piston Ø38 NIH Type		
HONDA ACCORD, LEGEND; MAZDA MX5		



<b>K384702</b>		
D=38	d=34	H=47
Rear Piston Ø38 Bosch Type		
FIAT BRAVO, BRAVA, MULTIPLA, STILO; OPEL ASTRA, ZAFIRA		



<b>K384805</b>		
D=38	d=29	H=48
Rear Piston Ø38 Ate Type		
CHEVROLET CRUZE; OPEL ASTRA, MOKKA		



LEFT THREAD

<b>K384901L</b>		
D=38	d=32,2	H=49
Rear Piston Ø38 Bosch Type		
ALFA, AUDI, CITROËN, FIAT, FORD, JAGUAR, PEUGEOT, SEAT, SKODA, VW		



RIGHT THREAD

<b>K384901R</b>		
D=38	d=32,2	H=49
Rear Piston Ø38 Bosch Type		
ALFA, AUDI, CITROËN, FIAT, FORD, JAGUAR, PEUGEOT, SEAT, SKODA, VW		



<b>K384902</b>		
D=38	d=29	H=49,7
Rear Piston Ø38 Teves Type		
CITROËN, FORD, HONDA, MAZDA, NISSAN, OPEL, RENAULT, SAAB, VOLVO		



LEFT THREAD

<b>K385002L</b>		
D=38	d=33,4	H=50,35
Rear Piston Ø38 Bosch Type		
CITROËN C4 PICASSO, C4 GRAND PICASSO; TOYOTA AVENSIS		

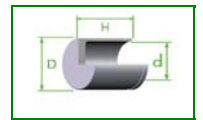


RIGHT THREAD

<b>K385002R</b>		
D=38	d=33,4	H=50,35
Rear Piston Ø38 Bosch Type		
CITROËN C4 PICASSO, C4 GRAND PICASSO; TOYOTA AVENSIS		



<b>K385101</b>		
D=38	d=33	H=51
Rear Piston Ø38 Lucas Type		
ALFA, VAG, PSA, GM, FIAT, HONDA, MITSUBISHI, LANCIA, NISSAN, VOLVO		




LEFT THREAD

**K385102L**

D=38	d=33	H=51
------	------	------

Rear Piston Ø38 Bosch Type  
FORD MONDEO, RENAULT KANGOO



RIGHT THREAD

**K385102R**

D=38	d=33	H=51
------	------	------

Rear Piston Ø38 Bosch Type  
FORD MONDEO, RENAULT KANGOO



LEFT THREAD

**K385103L**

D=38	d=33	H=51
------	------	------

Rear Piston Ø38 Bosch Type  
RENAULT KANGOO



RIGHT THREAD

**K385103R**

D=38	d=33	H=51
------	------	------

Rear Piston Ø38 Bosch Type  
RENAULT KANGOO



**K404701**

D=40,4	d=24,5	H=47
--------	--------	------

Rear Piston Ø40 Nissin Type  
HONDA S2000



**K404803**

D=40	d=29	H=48
------	------	------

Rear Piston Ø40 Ate Type  
CHEVROLET CRUZE, ORLANDO; OPEL ASTRA



**K404905**

D=40	d=29	H=49,7
------	------	--------

Rear Piston Ø40 Ate Type  
OPEL GT, SIGNUM, VECTRA



**K414301**

D=41	d=26	H=44
------	------	------

Rear Piston Ø41 NBK Type  
ISUZU TROOPER



**K414502**

D=41	d=36,5	H=45
------	--------	------

Rear Piston Ø 41 Akebono Type  
MITSUBISHI ASX, OUTLANDER



**K414601**

D=41,2	d=35	H=46,5
--------	------	--------

Rear Piston Ø41 Akeb. Type  
TOYOTA MR2



**K415101**

D=41	d=35	H=51
------	------	------

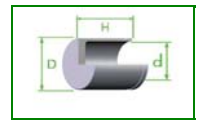
Rear Piston Ø41 Lucas Type  
ALFA, AUDI, CITROËN, FIAT, NISSAN, OPEL, RENAULT, SEAT, SKODA, VW



**K424601**

D=43	d=34,4	H=46,8
------	--------	--------

Rear Piston Ø 42.8 Lucas Type  
FORD, MAZDA, NISSAN




<b>K425102</b>		
D=43	d=34,4	H=51,3
Rear Piston Ø42.8 Lucas type		
AUDI, CHRYSLER, JAGUAR, VW		

LEFT THREAD




<b>K425103L</b>		
D=42	d=36,5	H=51
Rear Piston Ø42 Bosch Type		
NISSAN INTERSTAR; OPEL MOVANO; RENAULT MASTER		

RIGHT THREAD



<b>K425103R</b>		
D=42	d=36,5	H=51
Rear Piston Ø42 Bosch Type		
NISSAN INTERSTAR; OPEL MOVANO; RENAULT MASTER		



<b>K434602</b>		
D=43	d=35	H=46
Rear Piston Ø43 Akeb Type		
TOYOTA MR2		



<b>K444602</b>		
D=44,3	d=35	H=46
Rear Piston Ø44 Akeb. Type		
TOYOTA MR2		



<b>K454901</b>		
D=45	d=29	H=49,7
Rear Piston Ø45 Ate Type		
JAGUAR XJ, XJS, XF, XK SERIES		



<b>K466601L</b>		
D=46	d=26	H=66
Rear Piston Ø46 Brembo Type		
NISSAN CABSTAR/ATLAS		



<b>K466601R</b>		
D=46	d=26	H=66
Rear Piston Ø46 Brembo Type		
NISSAN CABSTAR/ATLAS		

LEFT THREAD



<b>K485205L</b>		
D=48	d=38	H=52
Rear Piston Ø48 Bosch Type		
FORD TRANSIT		

RIGHT THREAD



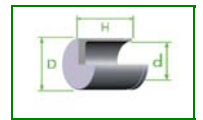
<b>K485205R</b>		
D=48	d=38	H=52
Rear Piston Ø48 Bosch Type		
FORD TRANSIT		



<b>K485303</b>		
D=48	d=43	H=53,5
Rear Piston Ø48 Brembo Type		
NISSAN NV400, OPEL MOVANO, RENAULT MASTER		



<b>K526501L</b>		
D=52	d=26	H=65
Rear Piston Ø52 Brembo Type		
IVECO DAILY		




<b>K526501R</b>		
D=52	d=26	H=65
Rear Piston Ø52 Brembo Type		
IVECO DAILY		



RIGHT THREAD

<b>K545203R</b>		
D=54	d=46	H=52,7
Front Piston Ø54 Bosch Type		
CITROËN C5		



LEFT THREAD

<b>K545203L</b>		
D=54	d=46	H=52,7
Front Piston Ø54 Bosch Type		
CITROËN C5		



<b>K545402</b>		
D=54	d=32	H=54
Front Piston Ø54 Bendix type		
CITROËN XANTIA		



<b>K575104</b>		
D=57	d=32	H=51,6
Front Piston Ø57 Bendix Type		
CITROEN XANTIA, XM		



LEFT THREAD

<b>K575201L</b>		
D=57	d=49	H=52,7
Front Piston Ø57 Bosch Type		
CITROËN C5		



RIGHT THREAD

<b>K575201R</b>		
D=57	d=49	H=52,7
Front Piston Ø57 Bosch Type		
CITROËN C5		



<b>K605104</b>		
D=60	d=34	H=51,2
Front Piston Ø60 Bendix Type		
CITROËN XANTIA		



<b>K605401</b>		
D=60	d=54	H=54
Rear Piston Ø60 Brembo Type		
NISSAN NV400, OPEL MOVANO, RENAULT MASTER III		



<b>K606501R</b>		
D=60	d=26	H=65
Rear Piston Ø60 Brembo Type		
IVECO DAILY IV SERIES		



<b>K606501L</b>		
D=60	d=26	H=65
Rear Piston Ø60 Brembo Type		
IVECO DAILY IV SERIES		